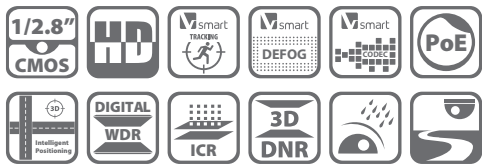


DS-2DF5286/5284 series

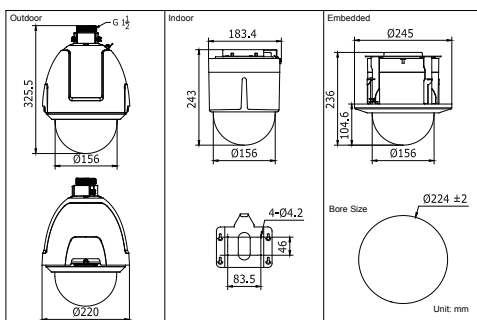
2MP Network PTZ Dome Camera



Key features

- 1/2.8" Progressive Scan CMOS
- 30X / 20X optical zoom, 16X digital zoom
- Smart Tracking, Defog
- True Day/Night, D WDR, 3D DNR
- 3D intelligent positioning
- Triple stream
- 24VAC / High-PoE power supply
- Outdoor / Indoor

Dimensions



Accessories



Available models

- DS-2DF5286-A: 24VAC, outdoor
- DS-2DF5286-AEL: High-PoE & 24VAC, outdoor
- DS-2DF5286-A3: 24VAC, indoor
- DS-2DF5286-AE3: PoE+ & 24VAC, indoor

- DS-2DF5284-A: 24VAC, outdoor
- DS-2DF5284-AEL: High-PoE & 24VAC, outdoor
- DS-2DF5284-A3: 24VAC, indoor
- DS-2DF5284-AE3: PoE+ & 24VAC, indoor

	DS-2DF5286-A/AEL (outdoor) DS-2DF5286-A3/AE3 (indoor)	DS-2DF5284-A/AEL (outdoor) DS-2DF5284-A3/AE3 (indoor)
Camera		
Image sensor	1/2.8" Progressive Scan CMOS	
Effective pixel	2230K pixels	
Min. Illumination	Color : 0.3 lux (F1.6, 1/30 sec, 50 IRE, AGC on), B/W : 0.02 lux (F1.6, 1/30 sec, 50 IRE, AGC on) Color : 0.02 lux (F1.6, 1/1 sec, 50 IRE, AGC on), B/W : 0.002 lux (F1.6, 1/1 sec, 50 IRE, AGC on)	
White balance	Auto / Manual / ATW/Indoor/Outdoor/Daylight lamp/Sodium lamp	
AGC	Auto / Manual	
S / N ratio	≥ 55dB	
Digital noise reduction	3D DNR	
Backlight compensation	HLC / BLC	
Wide dynamic range	Digital WDR	
Shutter speed	50Hz: 1-1/30,000s; 60Hz: 1-1/30,000s	
Day & Night	IR Cut Filter	
Digital zoom	16X	
Privacy masking	24 privacy masks programmable, optional multiple colors and mosaics	
Focus mode	Auto / Semiautomatic / Manual	
Enhancement	Defog	
Lens		
Focal length	4.3 ~ 129mm, 30X optical zoom	4.7 ~ 94mm, 20X optical zoom
Zoom speed	Approx.3s (Optical Wide-Tele)	Approx. 2.7s (Optical Wide-Tele)
Angle of view	65.5 ~ 2.11 degree (Wide-Tele)	58.3 ~ 3.2 degree (Wide-Tele)
Min. Working distance	10 ~ 1500mm(Wide-Tele)	
Aperture range	F1.6 ~ F5.0	F1.6 ~ F3.5
Pan and Tilt		
Smart tracking	Support	
Pan / Tilt range	Pan: 360° endless; Tilt: -5° ~ 90°(Auto Flip)	
Pan / Tilt speed	Pan Manual Speed: 0.1° ~ 300°/s, Pan Preset Speed: 540°/s Tilt Manual Speed: 0.1° ~ 240°/s, Tilt Preset Speed: 400°/s	
Proportional zoom	Rotation speed can be adjusted automatically according to zoom multiples	
Number of preset	300	
Patrol	8 patrols, up to 32 presets per patrol	
Pattern	4 patterns, with the recording time not less than 10 minutes per pattern	
Power-off memory	Support	
Park action	Preset / Patrol / Pattern / Pan scan / Tilt scan / Random scan / Frame scan / Panorama scan	
PTZ position display	Support	
Preset freezing	Support	
Scheduled task	Auto Scan / Frame Scan / Random Scan / Patrol / Pattern / Preset / Panorama Scan/ Tilt Scan / Dome Reboot/ Dome Adjust / Aux Output	
Alarm		
Alarm input	7 inputs	
Alarm output	2 relay outputs, alarm response actions configurable	
Alarm trigger	Face detection, Intrusion detection, Line crossing detection, Region entrance, Region exiting, Motion detection, Audio Exception Detection, Dynamic analysis, Tampering alarm, Network disconnect, IP address conflict, Storage exception	
Alarm action	Preset, Patrol, Pattern, SD/SDHC card recording, Relay output, Notification on Client	
Local Video and Audio		
Video output	1.0V[p-p] / 75Ω, NTSC (or PAL) composite, BNC	
Audio input	1 Mic in/Line in interface. Line input: 2-2.4V[p-p]; output impedance: 1KΩ, ±10%	
Audio output	1 Audio output interface. Line level, impedance: 600Ω	
Network		
Ethernet	10Base-T / 100Base-TX, RJ45 connector	
Max. image resolution	1920×1080	
Frame rate	50Hz: 25 fps (1920×1080), 25 fps (1280×960) , 25 fps (1280×720) 60Hz: 30 fps (1920×1080), 30 fps (1280×960) , 30 fps (1280×720)	
Image compression	H.264 / MJPEG / MPEG4, H.264 encoding with Baseline / Main / High profile	
SVC	Support	
ROI encoding	Support	
Audio compression	G.711u / G.711a / G.726 / MP2L2/G.722	
Protocols	IPv4/IPv6, HTTP, HTTPS, 802.1x, Qos, FTP, SMTP, UPnP, SNMP, DNS, DDNS, NTP, RTSP, RTP, TCP, UDP, IGMP, ICMP, DHCP, PPPoE	
Simultaneous live view	Up to 20	
Streams	Triple streams	
SD memory card	Built-in micro SD/SDHC Slot, up to 64GB, support manual / alarm / edge recording	
User/Host level	Up to 32 users, 3 Levels: Administrator, Operator and User	
Security measures	User authentication (ID and PW), Host authentication (MAC address), IP address filtering	
Integration		
Application programming	Open-ended API, support Onvif(Profile G), PSIA and CGI, Genetec	
Web browser	IE 7+, Chrome 18+, Firefox 5.0+, Safari 5.02+, support multi-language	
General		
RS-485 Protocols	HIKVISION, Pelco-P, Pelco-D, self-adaptive	
Power	-A: 24VAC, max. 40W	
	-AEL: 24VAC, max. 60W / High-PoE, max. 40W -A3/AE3: 24VAC / PoE+, max. 25W -A: -30°C ~ 65°C(-22°F ~ 149°F)	
Working Temperature	-AEL: 24 VAC: -40°C ~ 65°C (-40°F ~ 149°F) / High-PoE: -30°C ~ 65°C (-22°F ~ 149°F)	
	-A3/AE3: -10°C ~ 50°C (14°F ~ 122°F)	
Humidity	90% or less	
Protection Level	IP66, TVS 4,000V lightning protection, surge protection and voltage transient protection IK 10 (optional)	
Dimensions	Φ220×325.5mm (Φ8.66"×12.81")(Outdoor) Φ183.4×243mm (Φ7.22"×9.57")(Ceiling) Φ245×236mm (Φ9.65"×9.29")(In-ceiling)	
Weight	Approx. 4Kg (8.82lbs)	
Mount Option	Long-arm wall mount: DS-1602ZJ; Corner mount: DS-1602ZJ-corner;	
(outdoor models)	Pole Mount: DS-1602ZJ-pole; Power box mount: DS-1602ZJ-box	

NOTE: Indoor models support ceiling and in-ceiling mount.